



**WHEN POWER & PERFORMANCE MATTERS**

**CHOOSE ACTIVE**

# COMMANDO AM404DT

## MINI SKID STEER LOADER STAND ON UNIT

### FEATURES

- ◆ 40HP Turbo Perkins Diesel Engine
- ◆ Donaldson Air Filter
- ◆ Simple Joystick Drive Control
- ◆ Straight forward operation from the easy to read reference panel
- ◆ Easy access to service and maintenance compartments
- ◆ Rubber Tracker or Rubber Tyre models available
- ◆ Park Break
- ◆ Float control
- ◆ Duel Hydraulics couplings
- ◆ Padding around step area
- ◆ Large Range of Attachments Available: General Purpose Buckets, Forks, Trenchers, Augers, etc

### DIMENSIONS

A Maximum Working Height (4 in 1 Bucket)	2,780 mm
B Maximum Pin Shaft Height	2,090 mm
C Maximum Unloading Height (4 in 1 Bucket)	1,645 mm
D Highest Point Unloading Distance	600 mm
E Height	1,590 mm
F Aboveground Height	225 mm
G Wheelbase	1100 mm
H Overall Length (with 4 in 1 Bucket)	2,750 mm
I Length (without bucket)	1,980 mm
J Total Width	1,050 mm
K Bucket Width	1,150 mm
Track Size	200 x 72 x 45
Bucket Angle	55°
Bucket Unloading Angle	35°
Tilt Angle	30°

### HYDRAULIC SYSTEM

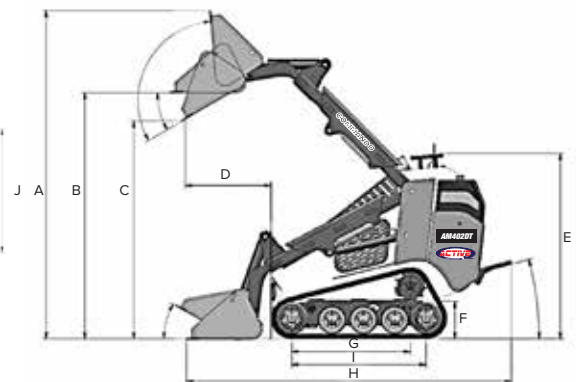
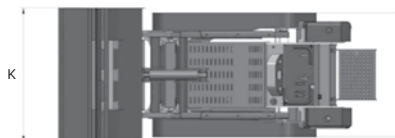
System Pressure	3625 PSI (250 Bar)
Hydraulic Oil Capacity	35L
Hydraulic Valve	Hydro Control Joystick (Italian)
Hydraulic Pumps	Boncioli Pavesi (Italian) x3
Flow	55 L/Min 210 bar at couplings
Cooler	Alloy Radiator

### ENGINE

Model	Perkins Turbo
Rated Power	(40HP)
Rotating Speed	2,400rpm
Electrical	12 Volt / Alternator
Fuel Tank Capacity	35L
Noise	≤ 95dB

### TECHNICAL PERFORMANCE

Rated Load	SWL550kg (4 in 1 Bucket)
Operating Weight	1,780kg (INC 4 IN 1 Bucket)
Bucket Capacity	0.2m <sup>3</sup>
Max Lifting Capacity	800kg (with added Counter weights)
Max Travel Speed	0-10 km/h



**ACTIVE MACHINERY**  
28-30 Hydrive Close  
Dandenong South Victoria 3175  
Phone 03 9799 7707  
Mobile 0409 307 500  
Email sales@activemachinery.com.au

### PURCHASE PRICE

